

Heavy Duty Deluxe Valet

Upscale Look | Enhanced Security | Electronics Ready

The Heavy Duty Deluxe Valet Podium is designed for operators who need their podiums to do more. This tougher version of our Deluxe Podium is fortified for maximum protection against damage and theft. The heavy-duty frame has a more rugged tubular design and is heavier and wider. The Heavy Duty Deluxe Valet Podium also has advanced key security features. The strong hinges, locking security bar, and prybar defense plates deter and defend against break-ins.



Basic Features

- 9 gauge, heavy-duty sheet metal construction (Door)
- 16 gauge, heavy-duty sheet metal construction (Rest of the podium)
- Countertop with brushed stainless steel trim
- Scratch-resistant textured black finish
- Zinc hardware
- Prybar defense plates
- Locking security bar
- Schlage door lock
- 50-200 key capacity
- Key hooks w/ white, screen printed numbers
- Tip slot
- Tip box installed
- Anchor loop
- 2 Locking, 2 non-locking Heavy-duty casters
- Umbrella holder
- Electronic device compatible
- LED Compatible
- Replaceable parts
- Pre-assembled
- Manufacturer's Warranty

Dimensions: 38.5" W x 24.5" D x 50" H

Weight: 250 lbs

Interior Upgrades

Key hooks

100 + \$67.20

150 + \$134.40

200 + \$201.60

Long Shelf + \$61.60

Exterior Upgrades

LED Kit (No Battery) + \$179.20

LED Kit + \$487.20

3 Panel Sneeze guard + \$95.00

Artwork Upgrades

Large Magnet + FROM \$205.00

Vinyl Decal + FROM \$275.00

Vinyl Wrap + FROM \$450.00

Accessories

Podium Cover + \$89.60

Valet Umbrella + \$285.60

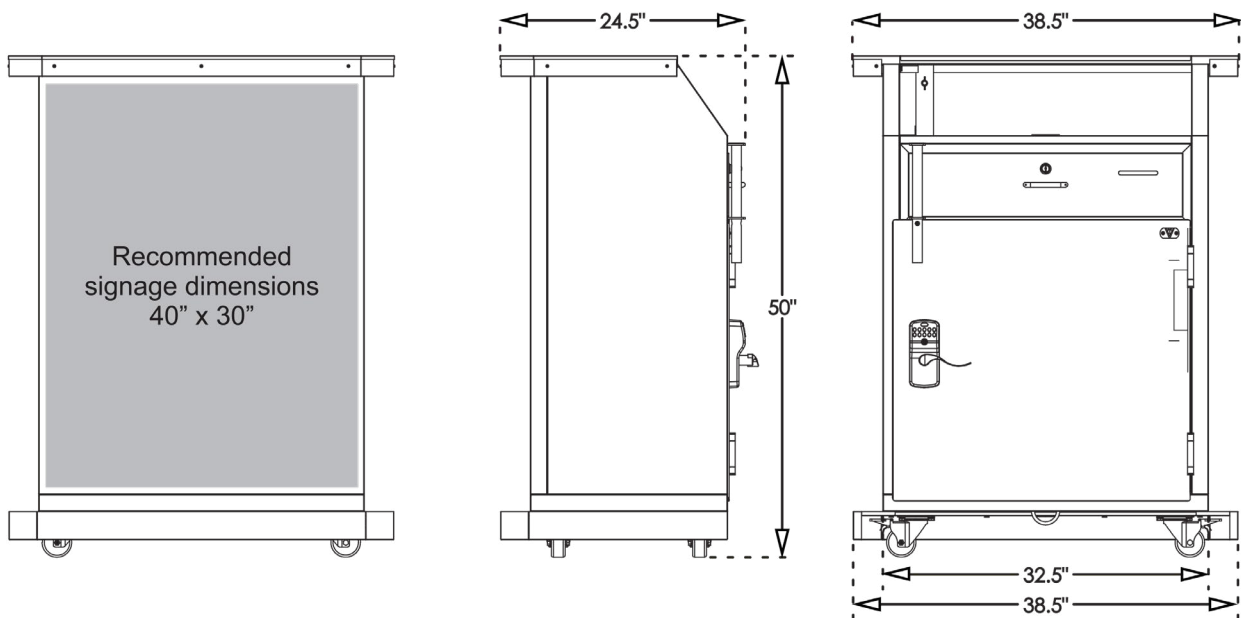
Valet Flap Umbrella + \$336.00

Key Fob Pouch + \$39.20/ pack of 10

Key Fob Pouch - RFID Protection
+ \$28 / pack of 5



with 200 Key Hooks
upgrade



TOTAL COST BEFORE DELIVERY **\$2,912** (basic options)